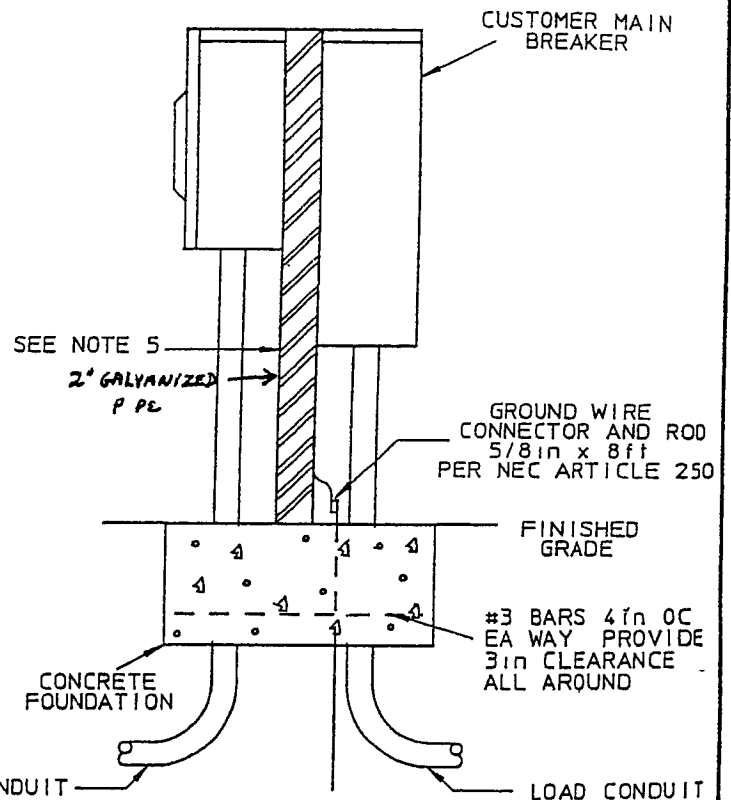
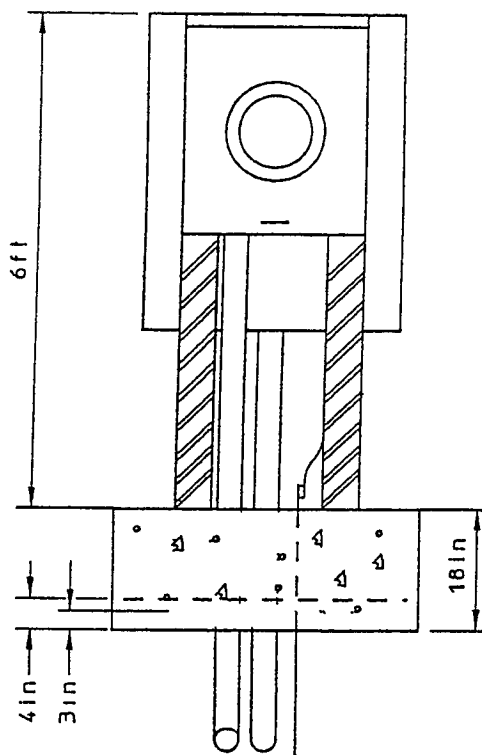
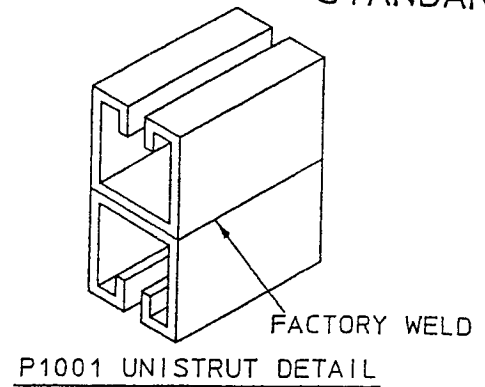
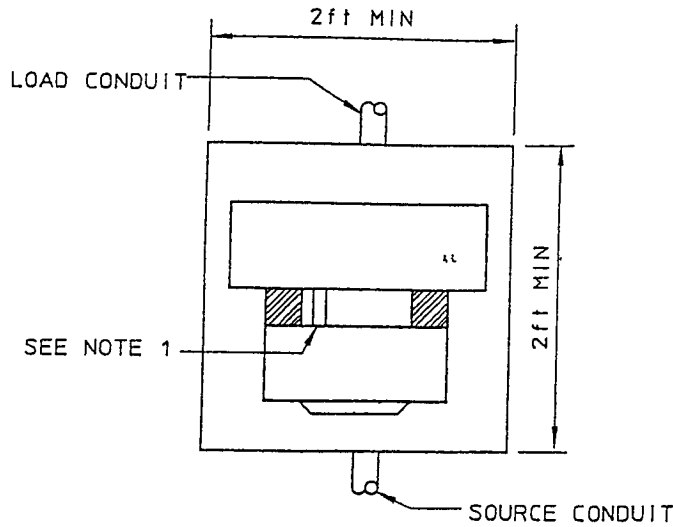


CNMEC
DISTRIBUTION
STANDARD



NOTES

- (1) USE RIGID NIPPLE BETWEEN METER SOCKET AND MAIN BREAKER
- (2) EQUIPMENT SHALL BE SECURELY ATTACHED TO SUPPORT MEMBERS EITHER BOLTED DIRECTLY OR MOUNTED TO METAL CHANNEL OR UNISTRUT CROSS MEMBERS
- (3) RIGID GALVANIZED OR IMC CONDUIT SHALL BE USED FOR SOURCE/LOAD CONDUITS
- (4) GUARD POSTS WILL BE REQUIRED IN TRAFFIC AREAS AS SPECIFIED
- (5) ACCEPTABLE SUPPORT MEMBERS ARE AS FOLLOWS

2" GALVANIZED PIPE

REFERENCES

- (1) SEE DS-4-11 0 MAXIMUM AVAILABLE FAULT CURRENTS
- (2) SEE DS-7-16 10 GUARD POST
- (3) SEE DS-19-11 1 SINGLE-PHASE 200 AMP METER SOCKET
- (4) SEE DS-19-11 3 SINGLE-PHASE 320 AMP METER SOCKET
- (5) SEE DS-19-11 4 THREE-PHASE 200 AMP FOUR-WIRE WYE OR DELTA METER SOCKET
- (6) SEE DS-19-11 8 SINGLE-PHASE 120/240 VOLT 100/200 AMP METER SOCKET WITH BYPASS HANDLE

200 AMP SINGLE-PHASE OR THREE-PHASE
PEDESTAL METERING

DS-19-77 1

1/01/93

P